



Made in USA
Patent pending

This BERSIN Ammunition Measuring and Adjustment Device is a revolutionary invention in precision shooting. The device diagnoses and eliminates errors in the longitudinal axis in rifle ammunition (concentricity flaws).

Unlike other tools, the device allows each cartridge to be solidly fixed within a replica of a rifle cartridge chamber for measuring purposes. Its accuracy of measurement - particularly of repeat functions - is unique. Furthermore, this device is the only existing tool available today which allows you an exact adjustment of cartridges containing concentricity flaws with respect to uneven alignments of the projectile within the cartridge case. In addition, the device discovers uneven cartridge case surfaces and irregularities in the seating depth (total length) of your ammunition.

Many different types and calibers of ammunition contain concentricity flaws. Industrially manufactured ammunition generally contains errors of $4/1,000''$ to $20/1,000''$ (measured in the region of the projectile's tip). Flaws of up to $40/1,000''$ are not uncommon. A shot at a distance of 300 yards with such a shell will forcibly miss its target by approximately a foot due to the provoked rotational imbalances.

Even carefully reloaded cartridges may contain errors of $4/1,000''$ or more, caused by minor mistakes in the reloading process, such as a bad angle of insertion of the projectile in the case mouth. The device generally reduces these errors to $1/1,000''$ or less.

Through the alignment of the projectile's axis with the axis of the cartridge case, while firing the cartridge, the projectile is pressed in a precise manner into the barrel throat. This avoids rotational imbalances of the projectile in the barrel and in the trajectory.

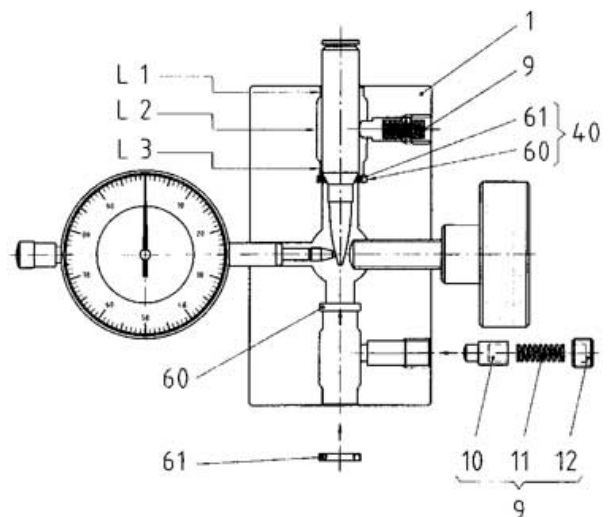
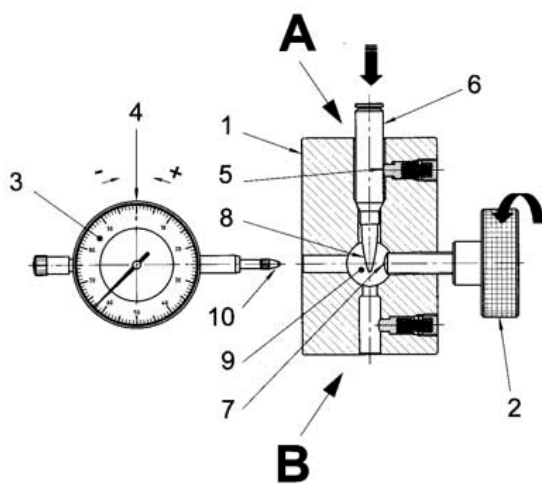
Rigorous testing in different atmospherically neutralized facilities has confirmed the efficiency of the BERSIN device and has demonstrated, that by means of a simple process of manual measuring and adjustments of the new or reloaded ammunition, the precision of

your rifle shot can be improved by up to 50%.

Whether you are a marksman using industrially manufactured ammunition or you are a reloader, this device is designed for you. It will ascertain and minimize flaws which occur in serially produced ammunition, as well as alleviate many problems of eccentricity in reloaded cartridges.

The device allows for the quick measurement of the accuracy of the cartridge, and if needed, for an instant adjustment of the projectile with the axis of the cartridge case, all of this being accomplishable within seconds. It can be used for all types of shooting - particularly sport and precision shooting, bench rest shooting, or for hunting and security purposes.

More precise ammunition means an improvement in your shooting accuracy and a decisive reduction of your target diameter.



A/B Bores appropriate to individual calibres

(All explanations and plans under US, Canadian, European Union and Swiss patent protection.)

- 1 Main body
- 2 Adjustment knob
- 3 Dial indicator
- 4 Adjustable indicator
- 5 Diameter compensator
- 6 Inserted cartridge
- 7 Tip of adjustment knob
- 8 Projectile
- 9 Sight hole
- 10 Indicator measuring tip

- 1 Main body
- 9 spring loaded diameter compensator
- 10 inside plastic element
- 11 compression spring
- 12 outside brass part
- 40 throat
- 60 groove
- 61 shoulder insert
- L1 vertical fixation area # 1
- L2 clearance zone
- L3 vertical fixation area # 2